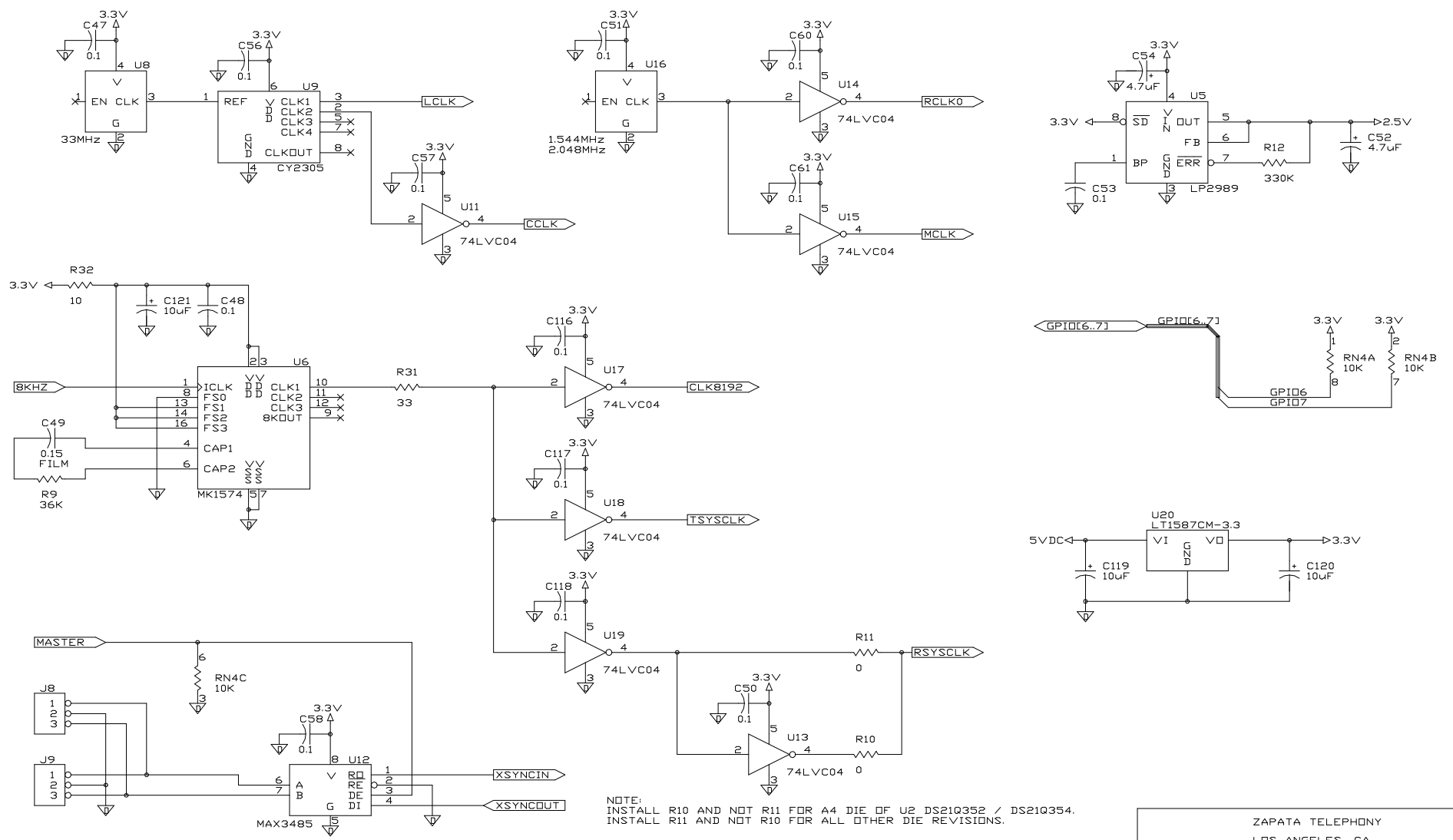


FDR T1: U16 IS 1.544 MHz
 FDR E1: U16 IS 2.048 MHz



NOTE:
 INSTALL R10 AND NOT R11 FOR A4 DIE OF U2 DS21Q352 / DS21Q354.
 INSTALL R11 AND NOT R10 FOR ALL OTHER DIE REVISIONS.

COPYRIGHT (C) 2001 JIM DIXON / ZAPATA TELEPHONY
 ALL RIGHTS RESERVED.
 DISTRIBUTED UNDER THE GNU GENERAL PUBLIC LICENSE.

ZAPATA TELEPHONY LOS ANGELES, CA		
Title TORMENTA 2 - PCI TELEPHONY INTERFACE		
Size B	Document Number 90380001	REV B
Date: December 13, 2001	Sheet 1	of 4